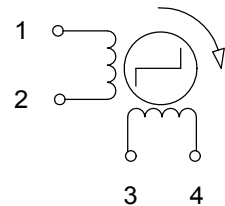
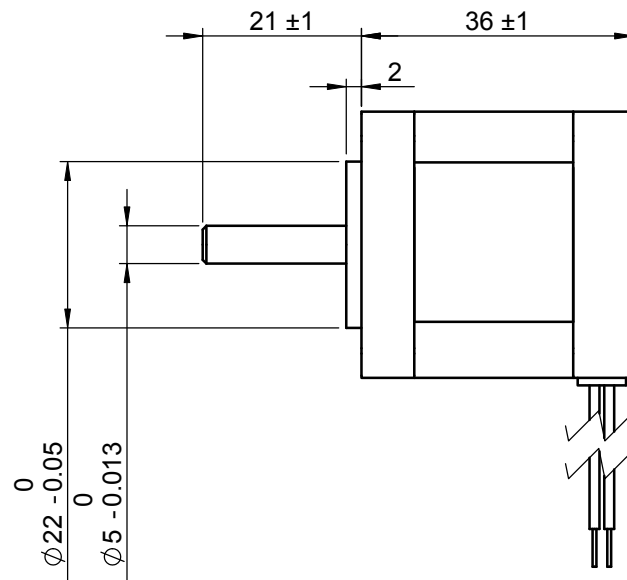


(此線徑為 UL1430 AWG26)



CONNECTOR PIN LOCATION					
PIN	COLOR	CCW ← → CW			
1	BLACK	+	-	-	+
2	GREEN	-	+	+	-
3	RED	+	+	-	-
4	BLUE	-	-	+	+

		THIRD ANGLE PROJECTION	製圖	JOANNE	Cheshire Electric Company, LLC		
ALL DIMENSION ARE IN MM (UNLESS OTHERWISE SPECIFIED)		設計	審核	Part No JH35-D0G1A739			
繪製比例: 1:1		材料	完成時間	2011/10/12	Name	HB stepper motor	REV. NO.
							A

MODEL		Motor Characteristics					
JH35-D0G1A739		Resistance	Step Angle	Steps Revolution	Max PIT Rate	Max POT Rate	POT(at500pps)
Constant current	24V 0.5A	2.7Ω	1.8 °	200	1000PPS	5400PPS	720g-cm